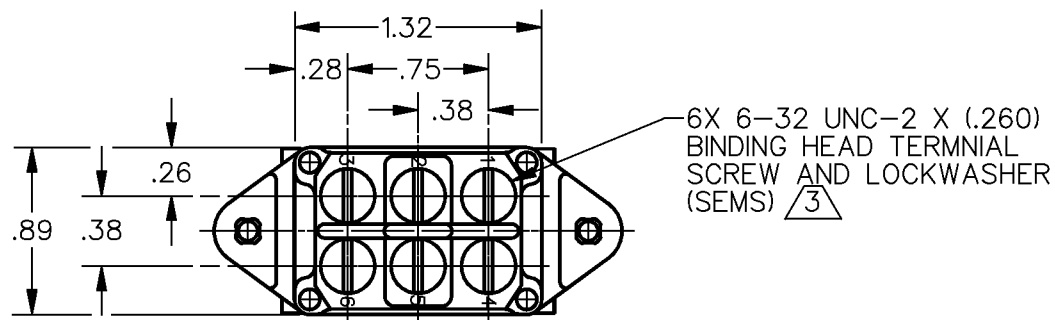
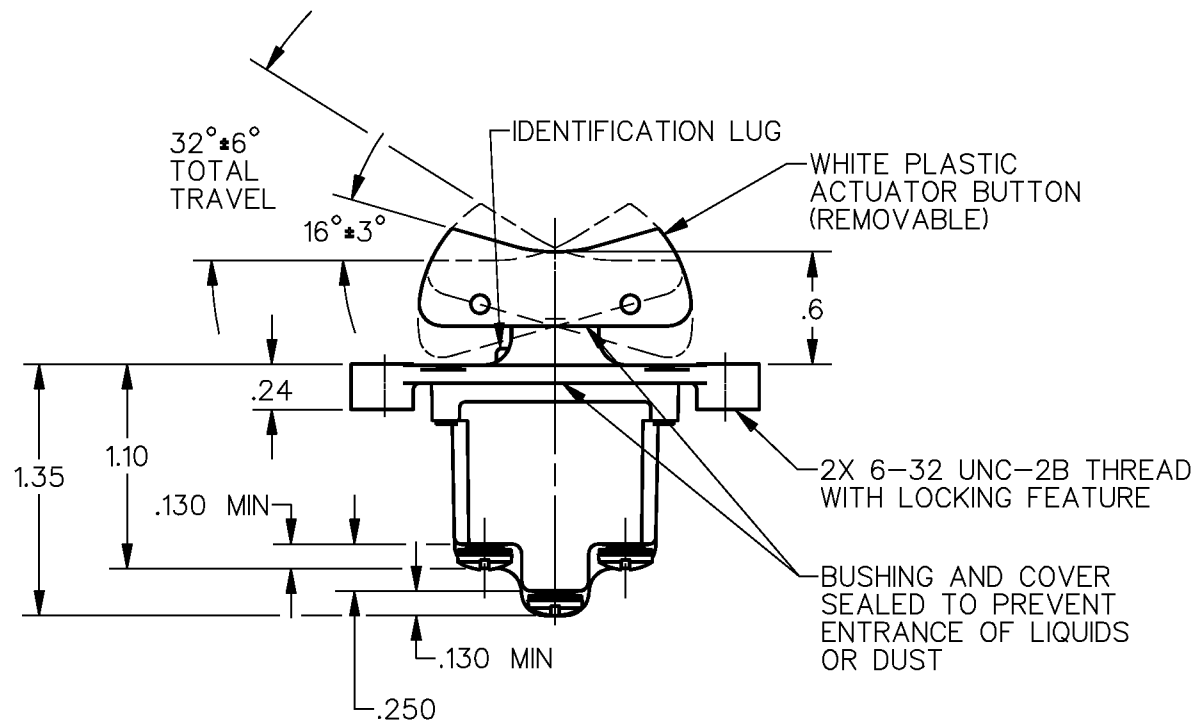
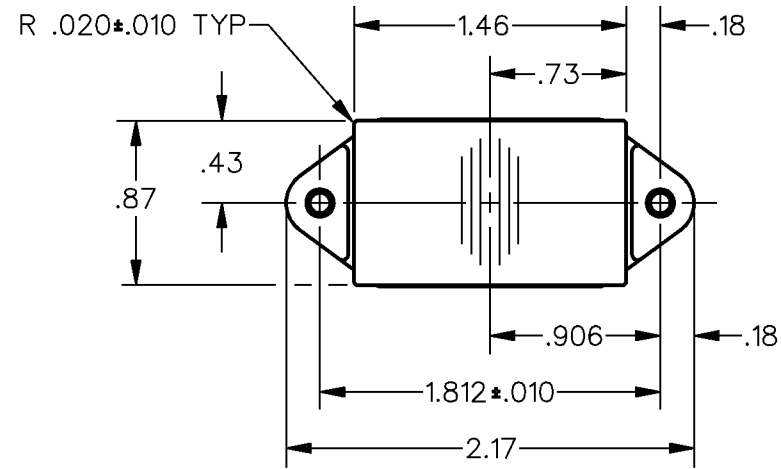


MICRO SWITCH
a Honeywell Division
FED. MFG. CODE 91929

**SWITCH - TOGGLE
ABOVE PANEL MOUNT**

CATALOG LISTING
2TP118 SERIES
CHART 1

THIS DRAWING COVERS A PROPRIETARY ITEM AND IS THE PROPERTY OF MICRO SWITCH. A DIVISION OF HONEYWELL. THIS DRAWING IS NOT TO BE COPIED OR USED WITHOUT THE APPROVAL OF MICRO SWITCH



CATALOG LISTING	CIRCUIT MADE WITH BUTTON DEPRESSED ON \triangle 4			ELECTRICAL DATA
	LUG SIDE (1-2, 4-5)	CENTER (1-2, 4-5)	OPPOSITE LUG (2-3, 5-6)	
2TP118-1	ON	OFF	ON	L191 15A 125, <u>250</u> , 277 VAC 1/2HP 125 VAC 1HP <u>250</u> , 277 VAC 5A 125 VAC "L"
2TP118-2	OFF	NONE	ON	
2TP118-3	ON	NONE	ON	
2TP118-21	NONE	OFF	ON	
2TP118-31	NONE	ON	ON	
2TP118-4	MOM OFF	NONE	ON	L192 10A 125, <u>250</u> , 277 VAC 1/4HP 125 VAC, 1/2HP <u>250</u> , 277 VAC 3A 125 VAC "L"
2TP118-5	MOM ON	OFF	ON	
2TP118-6	MOM ON	NONE	OFF	
2TP118-7	MOM ON	OFF	MOM ON	
2TP118-8	MOM ON	NONE	ON	
2TP118-51	NONE	ON	MOM ON	
2TP118-61	MOM ON	OFF	NONE	

- NOTES
 1 - SWITCH WILL WITHSTAND TEMPERATURE OF 160°F
 2 - MICRO SWITCH CAT. LIST. MARKED ON SIDE OF SWITCH
 \triangle 3 SCREWS FURNISHED UNASSEMBLED
 \triangle 4 APPLIES ONLY TO "ON" AND "MOMENTARY ON" POSITIONS

CATALOG LISTING
M 2TP118 SERIES CHART 1
PAGE 1 OF 1

ISSUE
3

REVISIONS
 A CO-82794 LJK JUL 96
 B CO-94413 JJA 8 OCT 99

RELEASE NO. PR-22016 REPLACES
 CHECK
 CHECK
 TSM 13 FEB 96
 CHECK
 CHECK
 DRAWN
 LJK 12 FEB 96
 FORMTEK

ANSI Y14.5M-1982 APPLIES

THIRD ANGLE PROJECTION

SCALE FULL

DO NOT SCALE PRINT

UNLESS OTHERWISE SPECIFIED TOLERANCES ARE

ONE PLACE (.0) ±.030
 TWO PLACE (.00) ±.015
 THREE PLACE (.000) ±.005
 ANGLES ±

WEIGHT .13 LB EST